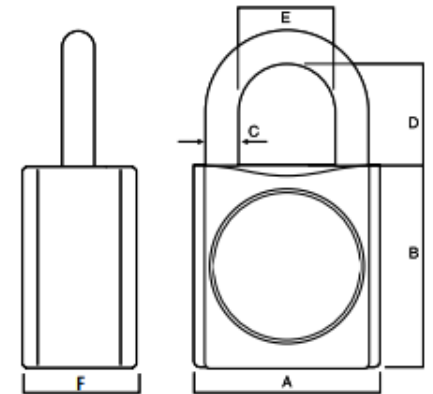


225 Series Padlock



Product Details- Dimensions

	A	B	C	D	E	F
225/40/119	38	38	6.4	19	19.5	20

Available Keying Configurations

	RKA	LS	KA	KD	003
225/40/119	•	•	•	•	•

Note: Red Fire Industry version shown keyed to 003 key.
Part No: 225/40/119/003

Padlocks Ordering Procedure

Padlock Series	Body Width	Shackle Material	Shackle Opening	Pack Type & Keying	
225	40	1	19	KD	
Padlock Series	Body Width	Shackle Opening		Pack Types and Keying	
225 Series	225	Nominal Size in mm	40	Nominal Size in mm	19
Shackle Material					
Hardened Steel		1			

Pack Types and Keying	
Locksmith	LS
5 Disc Keyed to Differ	KD
Keyed Alike	KA
Random Keyed Alike	RKD
Fire Industry Code	003

The Lockwood 225 Series Padlock is a zinc diecast padlock with a powdercoated finish.

The 225 padlock is primarily used with the 003 key code for the fire industry.

The padlock is also available with a brown powder coat finish for use in other applications.

Features and Specifications

- Powder coated red body
- Hardened steel chrome plated shackle

Product Details

Materials	Body: High purity, diecast, zinc alloy. Shackle: Hardened steel.
Function	Spring loaded shackle with latching function where the key can be removed with the shackle in the open position.
Finish	Body: Red powder coat (003 version) or Brown powder coat. Shackle: Chrome plate.
Cylinder	Integrated 5 disc barrel.
Shackles	6.4mm diameter, 19mm long.